

THE CITY OF NAPOLEON

BUILDING & ZONING DEPARTMENT

255 W. RIVERVIEW

(419)592-4010

Plumbing Permit

Permit Number: PL2008-4

Page 1 of 1

Printed: 1/15/2008

ADDRESS:

25 Interstate Dr

Applicant

Name: Bob Cordes Plumbing

Address: 17-706 Co Rd Q-1

Approval Date:

419-758-3162

Owners

Name: Boutet Rail Welding, USA

Address: PO Box 69

Napoleon, OH 43545

Phone: 419-592-5050

Contractors

Contractor Type: Plumber

Name: Bob Cordes Plumbing

Address: 17-706 Co Rd Q-1

Napoleon, OH 43545

Phone: 419-758-3162

Fees and Receipts:

Number	Description	Amount
FEE2008-36	Plumbing/outside clean out	\$25.00

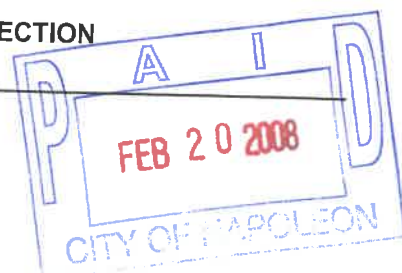
Total Fees: **\$25.00**

Total Receipts: **\$0.00**

sewer repairs

APPLICANTS SIGNATURE: _____ DATE: _____

REMINDER: YOU MUST CALL (419)592-4010 FOR AN INSPECTION

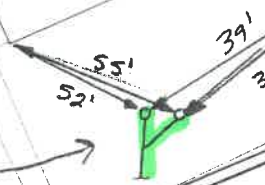


25

INTERSTATE DR.

EX. CB

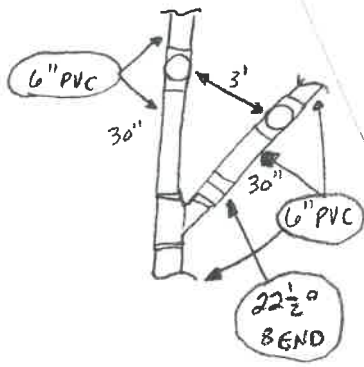
EX. 4" c/o



TRUCK DOCKS

6" c/o
4' TO F/L

DETAIL

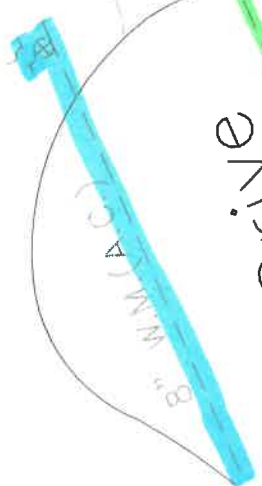


40'
6" c/o
4.5' TO F/L

53'

EX. MH

DATE INSTALLED: 1-16-08
 INSTALLED BY: CORDS PLUMBING
 INSPECTED BY: MARTY CROSSLAND

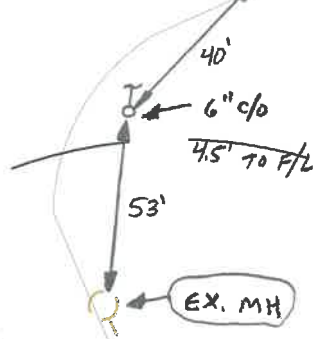
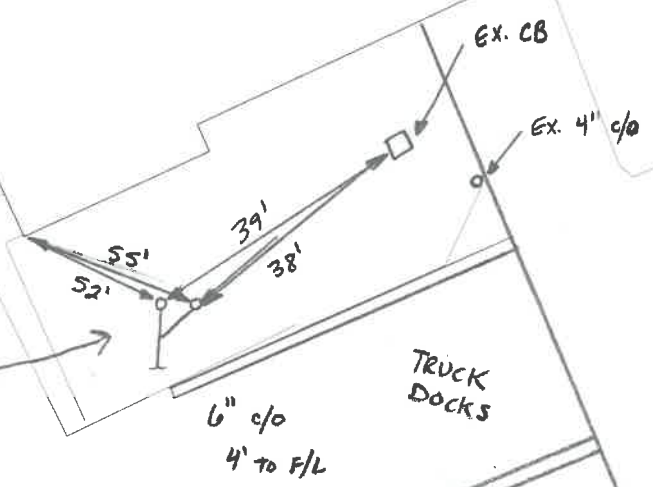
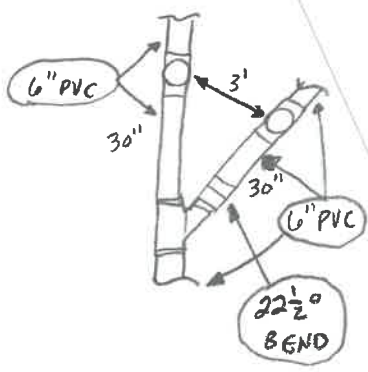


State Drive

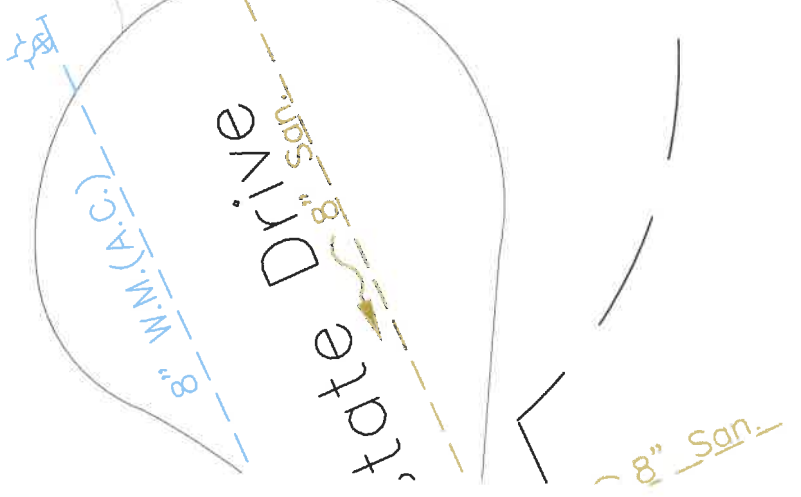
8" San

25
INTERSTATE DR.

DETAIL



DATE INSTALLED: 1-16-08
INSTALLED BY: CORDS PLUMBING
INSPECTED BY: MARTY CROSSLAND



25

INTERSTATE DR.

EX. CB

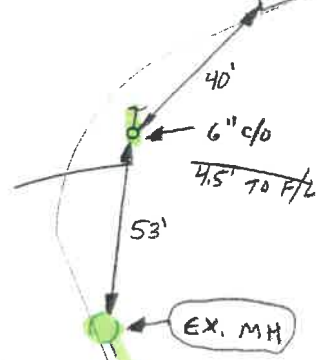
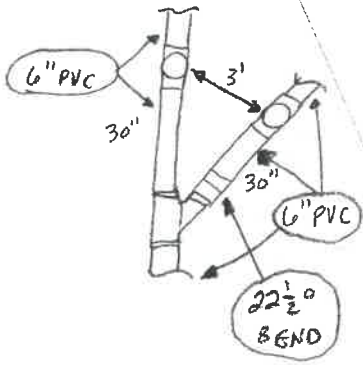
EX. 4" c/o



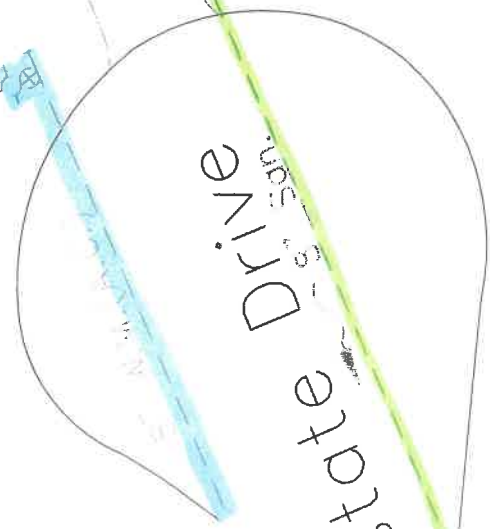
TRUCK DOCKS

6" c/o
4' TO F/L

DETAIL



DATE INSTALLED: 1-16-08
 INSTALLED BY: CORDS PLUMBING
 INSPECTED BY: MARTY CROSSLAND



SCANNED

**Rail Teck
1 1/2" Service with 5/8 meter**

1	S.S. 1 1/2 "x 8" tap clamp	\$	195.00
1	1 1/2 " Ball corporation stop	\$	83.00
1	1 1/2" Ball curb stop	\$	135.00
3	1 1/2" S.S. insert	\$	12.00
1	Curb box	\$	30.00
1	S.S. Curb box rod	\$	13.00
1	curb box enlarged base	\$	28.00
60'	1 1/2 " CTS Blue-ice tubing	\$	51.00
65'	Tracing wire .20 per foot	\$	13.00
2 ton	# 8 Stone	\$	21.10
6 ton	304 stone	\$	63.30

Parts \$ 644.40
25 % up charge \$ 161.10

Total parts \$ 805.50

1 5/8 meter set \$ 350.00

5 hr	Backhoe \$85/hr.	\$	425.00
1.5 hr	Large Dump \$60/hr.	\$	90.00
5 hr	Service Truck \$40/hr.	\$	200.00
5 hr	General Labor \$25/hr	\$	125.00
1 hr	Piercing tool \$125/hr	\$	125.00

Total Labor \$ 965.00

Total per Ordinance 931.08 \$ 4,000.00

amount paid with 1 1/2" meter
paid on 7/7/10 \$ 7,193.00

corrected bill with 5/8 meter
meter installed 3/9/11 \$ 6,120.50

Amount to be Refunded \$ 1,072.50

Pd 07-2

CITY OF NAPOLEON
255 W RIVERVIEW P.O. BOX 151
NAPOLEON, OH 43545-0151
PHONE (419) 599-1235

I N V O I C E

RAILTECH BOUTET INC
JOE HEASTON
25 INTERSTATE DRIVE
NAPOLEON OH 43545-0000

Date : 06-07-2010
Customer# : 88*02764*1
Invoice# : AD005829
Due Date : 07-07-2010

-Svc-	Description	--Qty--	-Units-	--Amount--	--Date--
WTAP	1 1/2" WATER SERVICE PLEASE SEE THE ATTACHED			7,193.00	06-07-20

TOTAL 7,193.00

PLEASE REFERENCE CUSTOMER NO. ON CHECK

COPY

**Rail Teck
1 1/2" Service**

1	S.S. 1 1/2 "x 8" tap clamp	\$ 195.00
1	1 1/2 " Ball corporation stop	\$ 83.00
1	1 1/2" Ball curb stop	\$ 135.00
3	1 1/2" S.S. insert	\$ 12.00
1	Curb box	\$ 30.00
1	S.S. Curb box rod	\$ 13.00
1	curb box enlarged base	\$ 28.00
60'	1 1/2 " CTS Blue-ice tubing	\$ 51.00
65'	Tracing wire .20 per foot	\$ 13.00
2 ton	# 8 Stone	\$ 21.10
6 ton	304 stone	\$ 63.30

	Parts	\$ 644.40
	25 % up charge	\$ 161.10

Sub-Total Parts \$ 805.50

1	1 1/2" T-10 Neptune meter	\$ 315.00
1	Wall R-900 Radio	\$ 94.00
10ft	rom wire	\$ 2.00
1	1 1/2 " meter setter	\$ 695.00
	Meter Parts	\$ 1,106.00
	25% up charge	\$ 276.50

Meter installation 1 Hr service truck \$ 40.00

Sub-Total Meter Cost \$ 1,422.50

5 hr	Backhoe \$85/hr.	\$ 425.00
1.5 hr	Large Dump \$60/hr.	\$ 90.00
5 hr	Service Truck \$40/hr.	\$ 200.00
5 hr	General Labor \$25/hr	\$ 125.00
1 hr	Piercing tool \$125/hr	\$ 125.00

Sub-Total Equipment \$ 965.00

Sub Total For Service \$ 3,193.00

Sub-Total Per Ordiance 931.08; C \$4,000.00

Grand Total \$7,193.00

BOUTET RAILTECH
25 INTERSTATE DR

99*16600*1

OUTSIDE CITY

WATER 14.34 BASE 5.07/CCF

SEWER 48.43 BASE 8.14/CCF

TOTAL

CCF	WATER	SEWER	ELECTRIC	
0	\$14.34		\$75.94	
0		\$48.43		
	\$14.34	\$48.43	\$75.94	\$138.71

INSIDE CITY

WATER 9.56 BASE 3.37/CCF

SEWER BASE 24.13 3.84/CCF

TOTAL

DIFFERENCE

0	\$9.56		\$75.94	
0		\$24.13		
	\$9.56	\$33.69	\$75.94	\$119.19
				\$19.52

99*16800*1

OUTSIDE CITY

WATER 14.34 BASE 5.07/CCF

SEWER 48.43 BASE 8.14/CCF

TOTAL

CCF	WATER	SEWER	ELECTRIC	
14	\$85.32		\$3,978.05	
14		\$162.39		
	\$85.32	\$162.39	\$3,978.05	\$4,225.76

INSIDE CITY

WATER 9.56 BASE 3.37/CCF

SEWER BASE 24.13 3.84/CCF

TOTAL

DIFFERENCE

14	\$56.74		\$3,978.05	
14		\$77.89		
	\$56.74	\$77.89	\$3,978.05	\$4,112.68
				\$113.08

99*16700*1

ELECTRIC ONLY

TOTAL

CCF	WATER	SEWER	ELECTRIC
			\$155.29
			\$155.29

Napolean

**ELECTRICAL INSPECTION
RELEASE FORM**

ED-6773

FROM (City/County)	DATE ISSUED
SERVICE ADDRESS <i>25 Interstate Dr.</i> OWNER/BUILDER/ELECTRICIAN <i>Bonnet Builders</i> SERVICE ADDRESS <i>651 Filmore</i> OWNER/BUILDER/ELECTRICIAN <i>Leon St. Clair</i> SERVICE ADDRESS	DATE ISSUED <i>9-16-94</i> AMPS <i>225</i> NO. MTRS <i>1</i> NEW REL UPG <input checked="" type="checkbox"/>
LOT NO. CITY/VILLAGE/TWP CODE <i>Napolean</i> Res. <input type="checkbox"/> Temp. <input type="checkbox"/> OH <input checked="" type="checkbox"/> 10 <input type="checkbox"/> Com. <input checked="" type="checkbox"/> Perm. <input checked="" type="checkbox"/> UG <input type="checkbox"/> 30 <input checked="" type="checkbox"/>	AMPS <i>225</i> NO. MTRS <i>1</i> NEW REL UPG <input checked="" type="checkbox"/>
LOT NO. CITY/VILLAGE/TWP CODE <i>Napolean</i> Res. <input type="checkbox"/> Temp. <input type="checkbox"/> OH <input checked="" type="checkbox"/> 10 <input type="checkbox"/> Com. <input checked="" type="checkbox"/> Perm. <input checked="" type="checkbox"/> UG <input type="checkbox"/> 30 <input type="checkbox"/>	AMPS <i>200</i> NO. MTRS <i>1</i> NEW REL UPG <input checked="" type="checkbox"/>
LOT NO. CITY/VILLAGE/TWP CODE Res. <input type="checkbox"/> Temp. <input type="checkbox"/> OH <input type="checkbox"/> 10 <input type="checkbox"/> Com. <input type="checkbox"/> Perm. <input type="checkbox"/> UG <input type="checkbox"/> 30 <input type="checkbox"/>	AMPS NO. MTRS NEW REL UPG <input type="checkbox"/>
LOT NO. CITY/VILLAGE/TWP CODE Res. <input type="checkbox"/> Temp. <input type="checkbox"/> OH <input type="checkbox"/> 10 <input type="checkbox"/> Com. <input type="checkbox"/> Perm. <input type="checkbox"/> UG <input type="checkbox"/> 30 <input type="checkbox"/>	AMPS NO. MTRS NEW REL UPG <input type="checkbox"/>
LOT NO. CITY/VILLAGE/TWP CODE Res. <input type="checkbox"/> Temp. <input type="checkbox"/> OH <input type="checkbox"/> 10 <input type="checkbox"/> Com. <input type="checkbox"/> Perm. <input type="checkbox"/> UG <input type="checkbox"/> 30 <input type="checkbox"/>	AMPS NO. MTRS NEW REL UPG <input type="checkbox"/>
LOT NO. CITY/VILLAGE/TWP CODE Res. <input type="checkbox"/> Temp. <input type="checkbox"/> OH <input type="checkbox"/> 10 <input type="checkbox"/> Com. <input type="checkbox"/> Perm. <input type="checkbox"/> UG <input type="checkbox"/> 30 <input type="checkbox"/>	AMPS NO. MTRS NEW REL UPG <input type="checkbox"/>

